

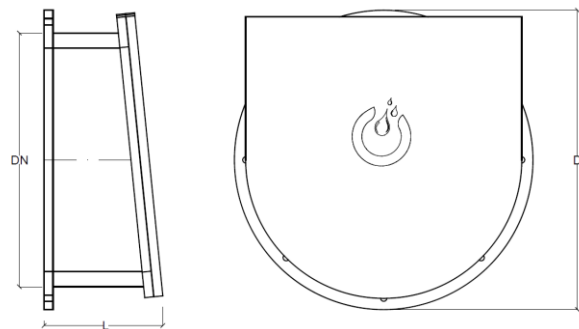
Flange return flap valve

Model: **BKZ-K**

Material: **PEHD**

Usage

- Closing and opening the flow on the emergency channel with circular cross-section
- To be installed at the outlet eg. of treated wastewater to the tank as a component which prevents the backflow
- One-way tightness

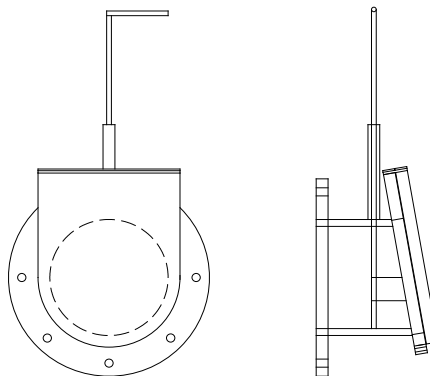


Type	Dimensions		
	DN	L	D
BKZ-K 160	160	270	285
BKZ-K 200	200	270	340
BKZ-K 250	250	270	395
BKZ-K 300	300	270	445
BKZ-K 400	400	270	565
BKZ-K 500	500	270	670
BKZ-K 600	600	320	780
BKZ-K 700	700	320	895
BKZ-K 800	800	370	1015
BKZ-K 900	900	370	1115
BKZ-K 1000	1000	370	1230

Additional information:

1. There are multiple solutions which can be applied while attaching the valve at the outlet pipes shall fitting according the client's needs.
2. Valve's angle of inclination depends on the client's demands on the pressure value that the valve will be applied for. It is established individually from 30 to 90 degrees.

It is possible to make a flange return flap valve with an emergency shut-off (optional):



Unusual solutions are always possible yet after the prior consult with the producer!